

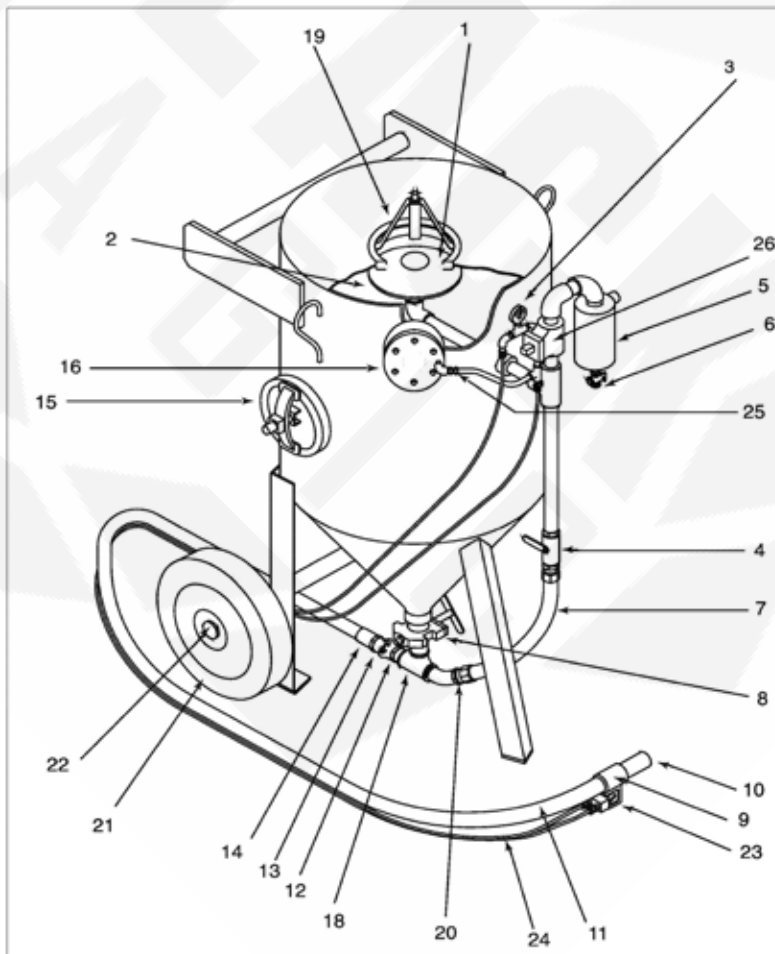
Empire Air Blast Equipment & Parts

SuperBlast 680 System with Saf-Stop II Remote Controls

No.	Part #	Description
1	523872	"O-Ring", 6" rubber (prior to 1980 item #523862)
2	525072	Sealing Plunger (PVC coated), 6" (prior to 1980 item #753152)
3	550242	Air Gauge, 1/4" NPT
4	518492	Ball Valve, 1" NPT (350)
	518502	Ball Valve, 1-1/4" NPT (650 & 1050)
	504352	Replacement Handle, 1" (w/right angle stop tab)
	505272	Replacement Handle, 1-1/4" (w/right angle stop tab)
	507132	Replacement Handle, 1" (w/straight stop tab)
	507142	Replacement Handle, 1-1/4" (w/straight stop tab)
5	290191	DF-1 Automatic Air Filter, 1" NPT Optional (350)
	290192	DF-2 Automatic Air Filter, 1" NPT Optional (650 & 1050)
	504562	ADS-1 Automatic Air Filter, 1" NPT Optional (350)
	504662	ADS-2 Automatic Air Filter, 1-1/4" NPT Optional (w/built-in check valve) (650 & 1050)
6	518252	Drain Valve, 1/4" NPT
7	520922	Flexible Hose w/fittings for 350 (Prior to 5/1/84)
	290318	Flexible Hose w/fittings for 350 (After 5/1/84)
	521022	Flexible Hose w/fittings for 650 (Prior to 5/1/84)
	290319	Flexible Hose w/fittings for 650 (After 5/1/84)
	521062	Flexible Hose w/fittings for 1050 (Prior to 5/1/84)
	520982	Flexible Hose w/fittings for 1050 (After 5/1/84)
8	290383	Manual Sure-Flo Valve Assembly
9		Nozzle Coupling
9A		Nozzle Washer (not shown)
10		Nozzle
11		Blast Hose
12	753262	Aluminum Tank Coupling
13	510511	Safety Pin
14		Quick Snap Coupling
15	506152	Clevia Inspection Door
	524152	Door Gasket
16	290181	MG72 Exhaust Valve
17	N/A	Not required to 680 Control System (Not shown on drawing)
	504352	Replacement Air Valve Handle, 1"
18	545752	Tee, 2" x 1-1/4" x 1-1/4" NPT
19	290367	E-Z Fill Bag Breaker/Screener

SuperBlast 680 System with Saf-Stop II Remote Controls

20	522112	Adaptor, 1" (350)
	520262	Adaptor, 1-1/4" (650 & 1050)
21	505062	Wheel, 12" Semi-Pneumatic, 5/8" Hub (350)
	505072	Wheel, 16" Semi-Pneumatic, 1" Hub (650 & 1050)
22	504692	Axle, 5/8" diameter x 26" L (350)
	504702	Axle, 1" diameter x 32-1/2" L (650)
	504712	Axle, 1" diameter x 36-1/4" L (1050)
23	290164	Pneumatic Saf-Stop II Remote Control Handle
24	521962	Dual Line Hose w/fittings (30')
	521882	Dual Line Hose w/fittings (50')
	521892	Dual Line Hose w/fittings (55')
	520872	Dual Line Hose per foot
25	290370	Control Hose, 1/4" ID w/fittings, 14' L (350)
	290372	Control Hose, 1/4" ID w/fittings, 14' L (650)
	290374	Control Hose, 1/4" ID w/fittings, 16' L (350)
26	518052	Automatic Air Valve, 1" NPT w/bleed (350)
	518062	Automatic Air Valve, 1" NPT w/bleed (650 & 1050)



SuperBlast 680 System With Saf-Stop II Remote Controls

Empire Air Blast Equipment & Parts

SuperBlast 780 System with Saf-Stop II Remote Controls

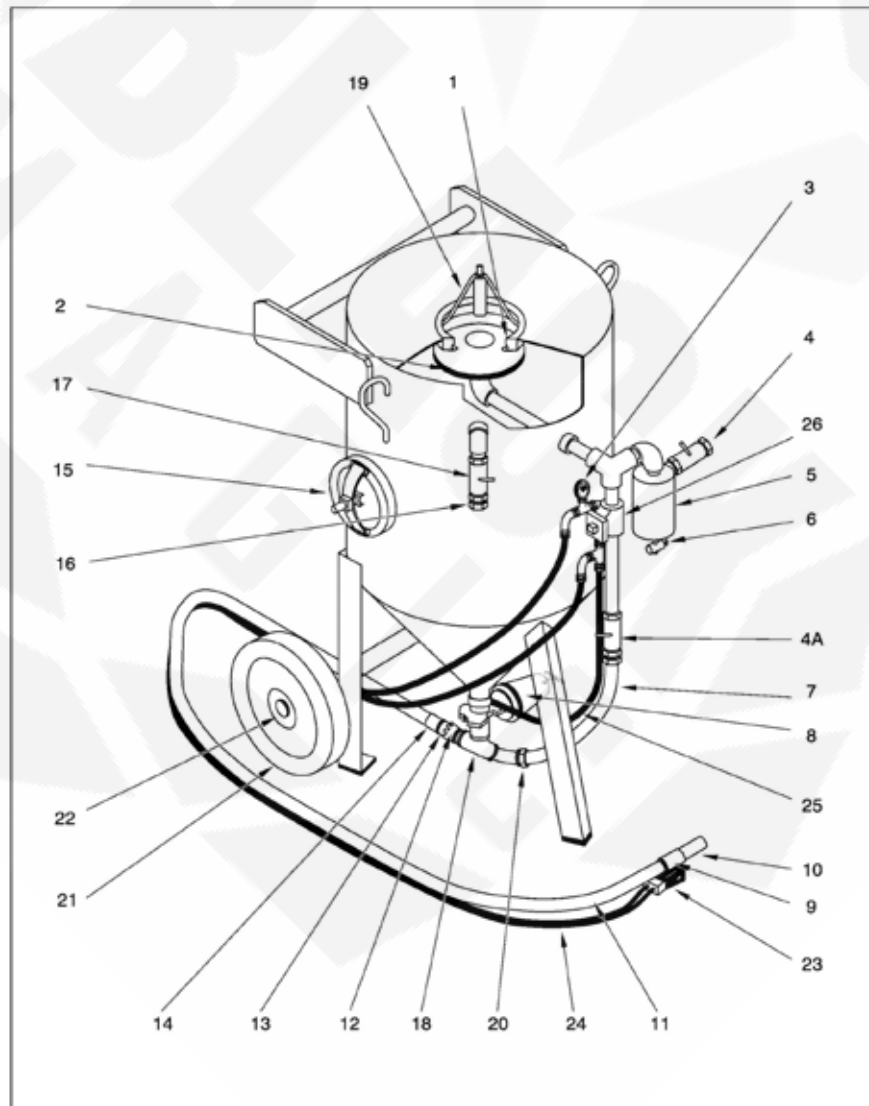
Empire
Blast Pots

No.	Part #	Description
1	523872	"O-Ring", 6" rubber
2	525072	Sealing Plunger (PVC coated), 6"
3	550242	Air Gauge, 1/4" NPT
4A	518412	Ball Valve, 1" NPT (350)
4	518502	Ball Valve, 1-1/4" NPT (650 & 1050)
	504352	Replacement Air Valve Handle, 1" (w/right angle stop tab)
	505272	Replacement Air Valve Handle, 1-1/4" (w/right angle stop tab)
	507132	Replacement Air Valve Handle, 1" (w/straight stop tab)
	507142	Replacement Air Valve Handle, 1-1/4" (w/straight stop tab)
5	290192	DF-2 Automatic Air Filter, 1" NPT Optional (650 & 1050)
	504562	ADS-1 Automatic Air Filter, 1" NPT Optional (350)
	504632	ADS-2 Automatic Air Filter, 1-1/4" NPT Optional (w/built-in check valve) (650 & 1050)
6	518252	Drain Valve, 1/4" NPT
7	520922	Flexible Hose w/fittings for 350 (Prior to 5/1/84)
	290318	Flexible Hose w/fittings for 350 (After 5/1/84)
	521022	Flexible Hose w/fittings for 650 (Prior to 5/1/84)
	290319	Flexible Hose w/fittings for 650 (After 5/1/84)
	521062	Flexible Hose w/fittings for 1050 (Prior to 5/1/84)
	520982	Flexible Hose w/fittings for 1050 (After 5/1/84)
8	290215	Automatic Sure-Flo Valve Assembly
9		Nozzle Coupling
9A		Nozzle Washer (not shown)
10		Nozzle
11		Blast Hose
12	753262	Aluminum Tank Coupling
13	510511	Safety Pin
14		Quick Snap Coupling
15	506152	Clevia Inspection Door
	524152	Door Gasket
16	763322	Silencer, 1" NPT
17	518492	Ball Valve, 1" NPT
18	545752	Tee, 2" x 1-1/4" x 1-1/4" NPT
19	290367	E-Z Fill Bag Breaker/Screenner
20	522112	Adaptor, 1" (350)
	520262	Adaptor, 1-1/4" (650 & 1050)
20	522112	Adaptor, 1" (350)
	520262	Adaptor, 1-1/4" (650 & 1050)

SuperBlast 780 System with Saf-Stop II Remote Controls

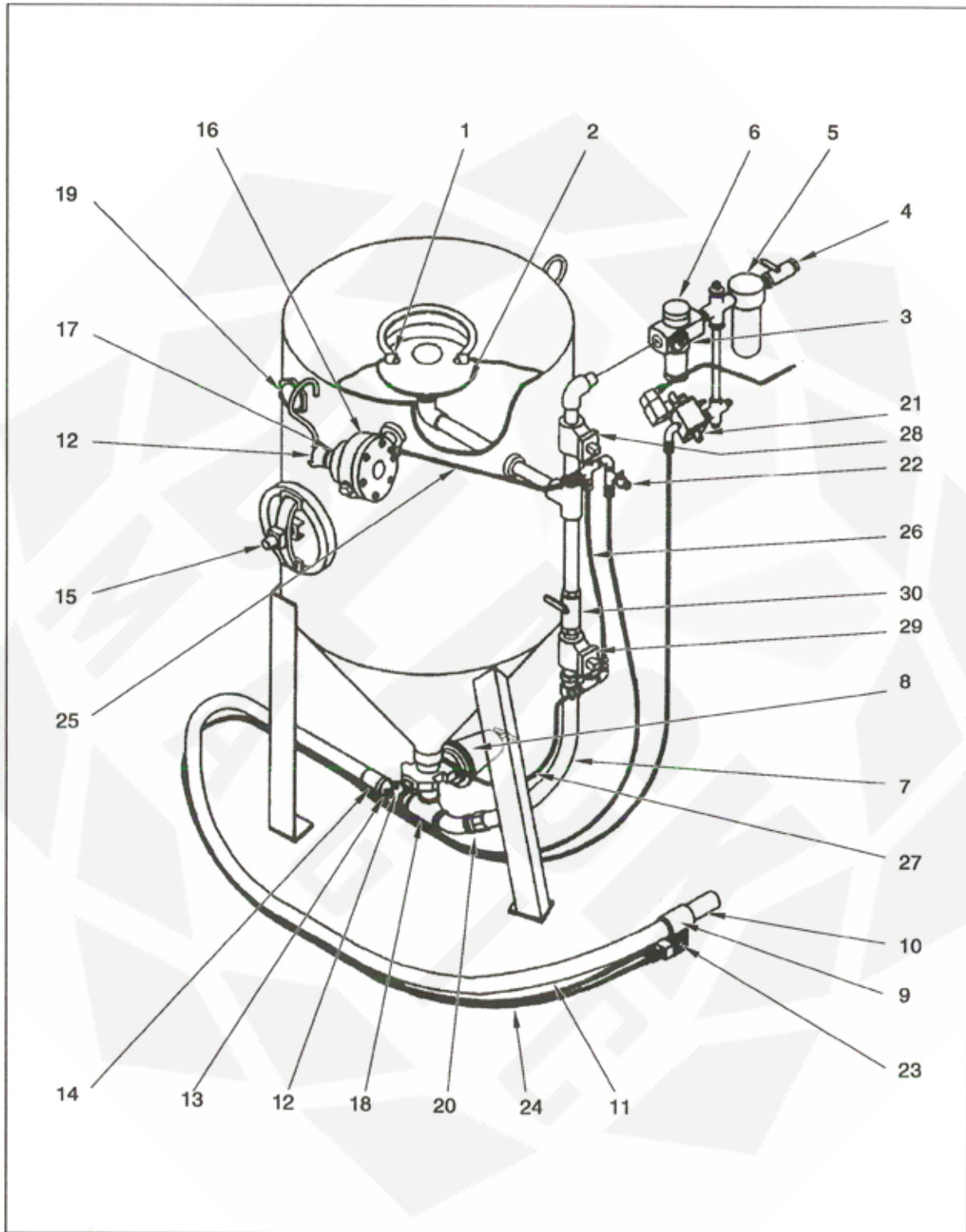
22	504692	Axle, 5/8" diameter x 26" L (350)
	504702	Axle, 1" diameter x 32-1/2" L (650)
	504712	Axle, 1" diameter x 36-1/4" L (1050)
23	290164	Pneumatic Saf-Stop II Remote Control Handle
24	521962	Dual Line Hose w/fittings (30')
	521882	Dual Line Hose w/fittings (50')
	521892	Dual Line Hose w/fittings (55')
	520872	Dual Line Hose per foot
25	290371	Control Hose, 1/4" ID w/fittings, 23' L (350)
	290373	Control Hose, 1/4" ID w/fittings, 27' L (650)
	290375	Control Hose, 1/4" ID w/fittings, 39' L (350)
26	518052	Automatic Air Valve, 1" NPT w/bleed (350)
	518062	Automatic Air Valve, 1" NPT w/bleed (650 & 1050)

Empire
Blast Pots



SuperBlast 780 System With Saf-Stop II Remote Controls

Blast Room Pressure Vessel with 680 Remote Controls



Blast Room Pressure Vessel with 680 Remote Controls

Ref.	Part Number	Description
1	523872	"O" Ring, 6" rubber
2	525072	Sealing Plunger (PVC coated), 6"
3	550242	Air Gauge, 1/4" NPT
4	518941	Manual Air Valve, 1 1/4" NPT locking
5	504632	Automatic Air Filter, 1 1/4" NPT
6	517291	Regulator, 1 1/4" relieving
7	290319	Flexible Hose w/fittings for 650 (After 5/1/84)
	520982	Flexible Hose w/fittings for 1050 (After 5/1/84)
8	290215	Automatic <i>Sure-Flo</i> Valve Assembly
9	-	Nozzle Coupling
9A	-	Nozzle Washer
10	-	Nozzle
11	-	Blast Hose
12	753262	Aluminum Tank Coupling
13	510511	Safety Pin
14	-	Quick Snap Coupling
15	506152	Clevis Inspection Door
	524152	Door Gasket
16	290582	MG78 Exhaust Valve
17	546192	Close Nipple, 1 1/4" Schedule 80
18	545752	Tee, 2" x 1 1/4" x 1 1/4" NPT
19	545493	Sight glass, 2" NPT
20	520262	Adaptor, 1 1/4"
21	519042	Safety Interlock Solenoid Valve, 120 VAC
	517086	Replacement Coil, 120 VAC
22	520642	Petcock 1/4"
23	290164	Pneumatic <i>Saf-Stop II</i> Remote Control Handle
24	521962	Dual Line Hose w/fittings (30')
	521882	Dual Line Hose w/fittings (50')
	521892	Dual Line Hose w/fittings (55')
	520872	Dual Line Hose per foot
25	290372	Control Hose, 1/4" ID w/fittings 14"L (650)
	290371	Control Hose, 1/4" ID w/fittings 23"L (1050)
26	290371	Control Hose, 1/4" ID w/fittings 23"L (650)
	290376	Control Hose, 1/4" ID w/fittings 23"L (1050)
27	290373	Control Hose, 1/4" ID w/fittings 27"L (650)
	290376	Control Hose, 1/4" ID w/fittings 36"L (1050)
28	518062	Automatic Air Valve, 1 1/4" NPT w/bleed
29	517052	Automatic Air Valve, 1 1/4" NPT no bleed
30	518502	Manual Air Valve, 1 1/4" NPT (Choke valve)

Automatic Air Valve

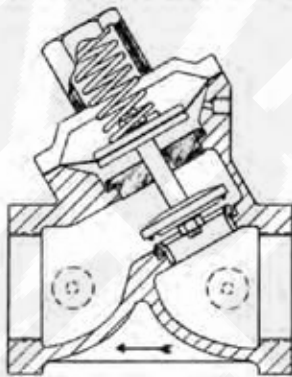
Automatic Air Valves:

518052	1" Air Valve	1" Aquamatic Valve, Bleed Type (Use on Econo-O-Blast P-150, P-300 & Superblast 350)	5 lbs.
518062	1 1/4" Air Valve	1 1/4" Aquamatic Valve, Bleed Type (Use on Superblast 650, 1050 & Blast Room Vessels)	6 lbs.
517052	1 1/4" Air Valve	1 1/4" Aquamatic Valve, Non-Bleed Type (Use on Blast Room Vessels Only)	6 lbs.

Automatic Air Valve Tools:

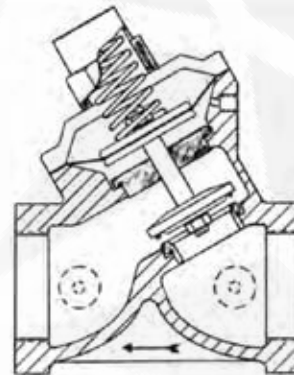
518512	1" Wrench	1" Wrench for 1" Automatic Air Valves	1 lb.
518522	1 1/4" Wrench	1 1/4" Wrench for 1 1/4" Automatic Air Valves	1 lb.

Automatic Air Valve Parts:



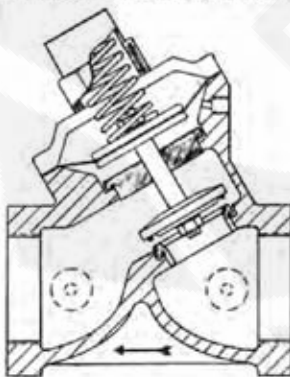
SERIES 421

P/N 518052 (1" NPT, WITH BLEED)
 1" NORMALLY OPEN SPRING ASSIST CLOSED
 SERIES 421 (BLEED TYPE)
 P/N 518432 - SPRING (1/2" x 2" HIGH)
 P/N 517582 - DIAPHRAGM/SEAL REPAIR KIT
 P/N 518352 - INTERNAL REPAIR KIT



SERIES 424

P/N 518062 (1 1/4" NPT, WITH BLEED)
 1 1/4" NORMALLY OPEN SPRING ASSIST CLOSED
 SERIES 424 (BLEED TYPE)
 P/N 518082 - SPRING (1 1/4" x 1 3/4" HIGH)
 P/N 517592 - DIAPHRAGM/SEAL REPAIR KIT
 P/N 518362 - INTERNAL REPAIR KIT
 P/N 519052 - LOWER SEAT

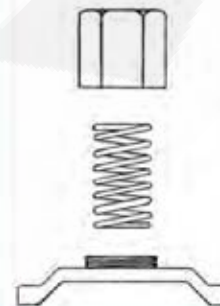


SERIES 424

P/N 517052 (1 1/4" NPT)
 1 1/4" NORMALLY OPEN SPRING ASSIST CLOSED
 SERIES 424 (STD TYPE)
 P/N 518082 - SPRING (1 1/4" x 1 3/4" HIGH)
 P/N 517592 - DIAPHRAGM/SEAL REPAIR KIT
 P/N 518921 - INTERNAL REPAIR KIT
 P/N 519052 - LOWER SEAT

Note: Air flow is opposite the arrow on the valve.

CAUTION



WHEN ORDERING
 SPRINGS, HAVE
 SPRING DIMEN-
 SIONS PRIOR TO
 ORDERING

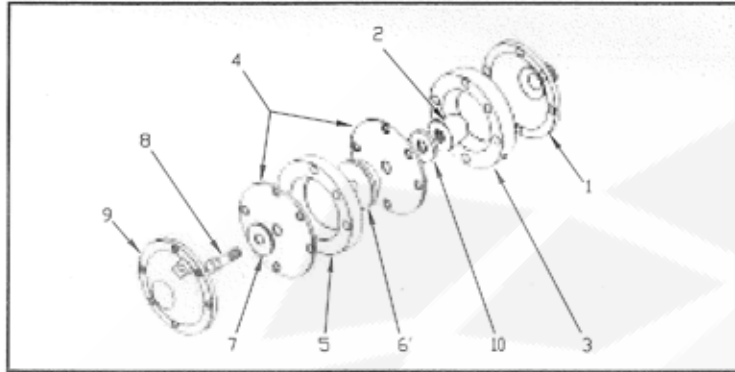
SOME OLDER VERSIONS
 OF THE 1 1/4" STD AND
 BLEED VALVES MAY HAVE
 THIS STYLE CAP AND
 SPRING

Exhaust Valve

Empire Valves

MG-72 EXHAUST VALVE PARTS

P/N #290181



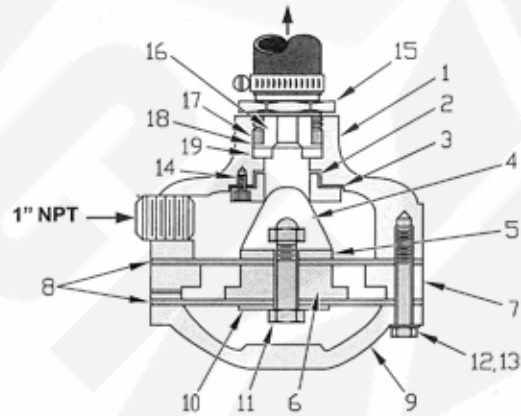
Item	Part Number	Description
1	753442	Inlet Cover
2	525322	Valve ball
3	753722	Exhaust ring
4	523672	Rubber diaphragms (each)
5	753402	Outer spacer ring
6	753392	Inner spacer ring
7	552902	Washer
8	551962	Hex bolt, 1/2" - 13 x 1 3/4"
9	753382	Valve cover
10	553412	Spacer washer

WARNING
 STAY CLEAR OF EXHAUST VALVE WHEN POT BLOWS DOWN. EXHAUSTED PARTICLES CAN CAUSE EYE INJURY
 NOTE: BLOW DOWN IS OPERATOR CONTROLLED AND CAN OCCUR WITHOUT WARNING. WEAR PROTECTIVE CLOTHING.

MG-78 EXHAUST VALVE PARTS

P/N #290182 or 290582 (W/BORON RESTRICTOR)

Item	Part Number	Description
	290183	Rebuild Kit, MG-78 (Seat & gasket, ball, diaphragm, 3 screws, drawing). <i>Note: MG-78 castings must be in good condition to use PN 290183 effectively.</i>
1	753332	Valve Body
2	753412	Seat, valve ball (steel)
3	524132	Gasket, seat
4	525322	Valve ball (also used on 411 & 412 valves)
5	553412	Spacer washer, steel (1/2" ID x 2" OD x 1/4" thick)
6	753392	Spacer ring, inner
7	753402	Spacer ring, outer
8	723672	Diaphragm
9	753382	Cover valve
10	772842	Washer (1/2" ID x 2" OD x 1/16" thick)
11	551962	Bolt, 1/2" - 13 x 1 3/4"
12	553982	Bolt, 3/8" - 16 x 2"
13	552762	Lock washer, 3/8"
14	551122	Screws, seat 1/4" - 20 x 1/2" (pack of 3)
15	544512	Reducer bushing, 1 3/4" MPT x 1" FPT



RESTRICTOR PARTS

	290218	Restrictor Kit
16	502431	Ceramic Nozzle (Standard)
	502081	Boron Carbide upgrade for Restrictor Kit, customer installed (extended wear)
	290184	Boron Carbide upgrade for Restrictor Kit, factory installed (extended wear) used in 290582
17	552952	Washer, steel
18	524062	Washer, nozzle, NW-1 (1" ID x 1 1/2" OD x 1/4" thick) (pack of 10)
19	524082	Washer, nozzle, NW-4 (3/4" ID x 1 1/2" OD x 1/4" thick) (pack of 10)



TIP: Worn restrictors may result in premature reclaimer failure. Check the restrictor for wear when replacing a reclaimer. Check for wear often when using aggressive media.

Sure Flo Media Valve

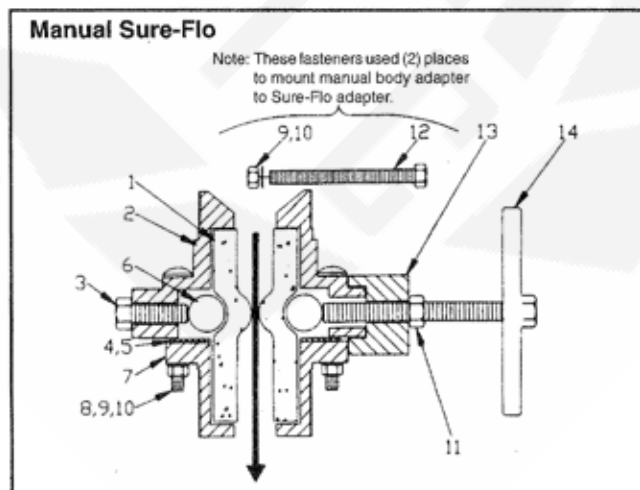
Part Number **Catalog Name** **Description:** **Ship Weight**

Sure-Flo Media Regulators

290383	Manual	Manual Sure-Flo Media Regulator (grit valve) Normally Open, 9" Clearance Required	25 lbs.
290215	Automatic	Automatic Sure-Flo Media Regulator (grit valve) Normally Closed, 9" Clearance Required	30 lbs.
290188	Conversion Kit	Converts Manual Sure-Flo to Automatic (includes item #15-32)	25 lbs.

Manual Sure-Flo Regulator Parts

Item	Part #	Description	Nozzle	Grit	Comments
1	525451	Metering tube, 3/8" ID	Small	Fine	Back out roller bolt 1/2"
	525782	Metering tube, 1/2" ID	Small-med	Fine-med	Back out roller bolt 1/2"
	523592	Metering tube, 3/4" ID	Medium	Medium	Supplied as standard
	523512	Metering tube, 3/4" ID	Medium	Medium	Use below 32° F. (red)
	525792	Metering tube, 5/8" ID	Med-large	Med-coarse	-
	525802	Metering tube, 7/8" ID	Large	Coarse	High Production use
2	753692	Valve body, 2" MPT			
3	552222	Bolt, 7/16" - 14 x 1-1/4"			
4	753092	Roller stop/holder			
5	551352	Screw, 8-32 x 1/2" (2 per assembly)			
6	753632	Pinch roller (2 per assembly)			
7	753292	Flange, 2" MPT			
8	552052	Bolt, carriage, 3/8"-16 x 2-1/2" (4)			
9	552762	Lockwasher, 3/8" ID (6)			
10	552542	Nut, hex 3/8"-16 (6)			
11	552672	1/2" Jam Nut, (after 5/1/84)			
	552382	7/16" Jam Nut, (prior to 5/1/84)			
12	551902	Bolt, hex 3/8"-16 x 3" (2)			
13	753372	Adapter, manual body, Sure-Flo			
14	290384	Handle assembly, 1/2"-13 x 4", (after 5/1/84)			
	290211	Handle assembly, 7/16"-14 x 4" (prior to 5/1/84)			

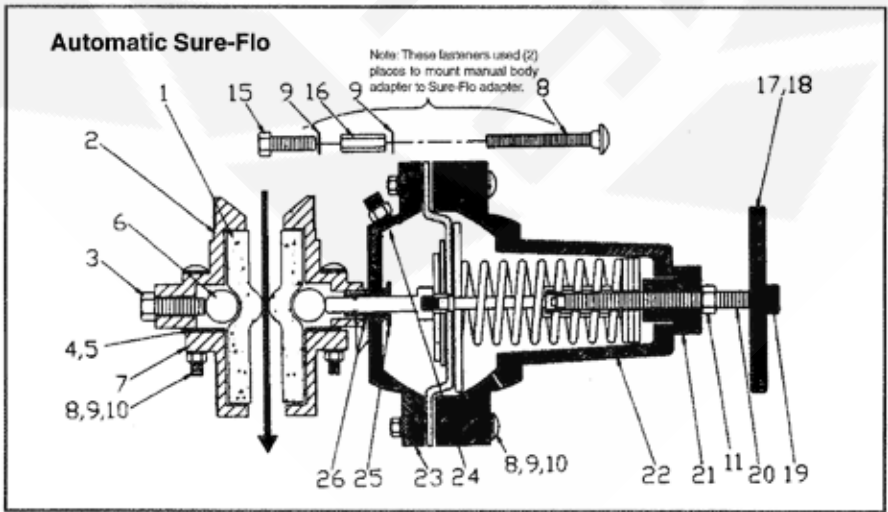
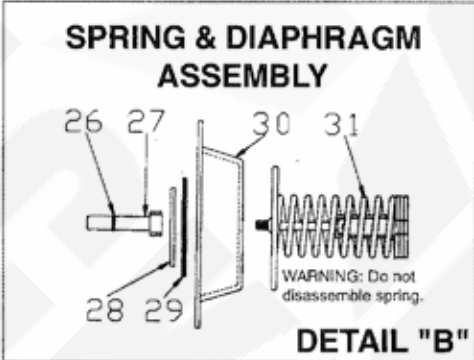


Sure Flo Media Valve

Automatic Sure-Flo Regulators Parts

1	525451	Metering tube, 3/8" ID	Small	Fine	Back out roller bolt 1/2"
	525782	Metering tube, 1/2" ID	Small-med	Fine-med	Back out roller bolt 1/2"
	523592	Metering tube, 3/4" ID	Medium	Medium	Supplied as standard
	523512	Metering tube, 3/4" ID	Medium	Medium	Use below 32° F. (red)
	525792	Metering tube, 5/8" ID	Med-large	Med-coarse	-
	525802	Metering tube, 7/8" ID	Large	Coarse	High Production use
2	753692	Valve body, 2" MPT			
3	552222	Bolt, 7/16" - 14 x 1-1/4"			
4	753092	Roller stop/holder			
5	551352	Screw, 8-32 x 1/2" (2 per assembly)			
6	753632	Pinch roller (2 per assembly)			
7	753292	Flange, 2" MPT			
8	552052	Bolt, carriage, 3/8"-16 x 2-1/2" (10)			
9	552762	Lockwasher, 3/8" ID (12)			
10	552542	Nut, hex 3/8"-16 (8)			
11	552672	Nut, jam (1/2"-13 after 5/84)			
	552382	Nut, jam (7-16"-14 before 5/84)			
12	N/A	(Not shown in drawing)			
13	N/A	(Not shown in drawing)			
14	N/A	(Not shown in drawing)			
15	551852	Bolt, 3/8"-16 x 1-1/4" (2/Auto Sure-Flo)			
16	552662	Nut, extension 3/8"-16 (2/Auto Sure-Flo)			
17	290217	Handle assembly, 1/2"-13, Automatic Sure-Flo			
	290211	Handle assembly, 7/16"-14 x 4"			
18	753622	Handle (only), 1/2"-13			
19	551732	Set screw, 1/2"-13 x 1/2", nylon			
20	505802	Shaft, handle			
21	505822	Spring Tensioner (after 5/84)			
	753182	Spring Tensioner (before 5/84)			
22	753682	Spring Enclosure			
23	753112	Diaphragm cover			
24	520222	Adapter, 1/4" NPT x 1/4" ball end (hose)			
25	753462	Plunger guide			
26	561422	O-ring Kit (2 for guide & 1 for plunger)			
27	505872	Plunger with O-ring (after 5/84)			
	753472	Plunger with O-ring (before 5/84)			
28	552842	Washer, 1/2" ID			
29	525002	Gasket, diaphragm			
30	525012	Diaphragm (after 5/84)			
	523662	Diaphragm (before 5/84)			
31	290296	Spring Assembly (includes item shown in "Detail B")			
32	565452	Tag, Instructions, Sure-Flo			

WARNING
NEVER ATTEMPT TO DISASSEMBLE THE SPRING ASSEMBLY IN THE AUTO-MATIC SURE-FLO. THE SPRING IS UNDER HIGH COMPRESSION AND MAY INJURE PERSONNEL.



Empire Valves

Saf-Stop II Remote Control Handle

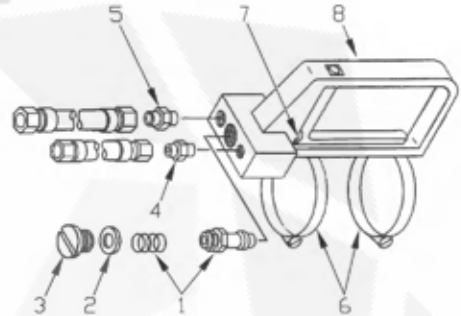
Remote Control Handles

290164	Pneumatic Saf-Stop II	Pneumatic Saf-Stop II Remote Control Handle Assembly Complete w/Brass Fittings
290354	Electric Saf-Stop II	Electric Saf-Stop II Remote Control Handle Assembly Complete w/3' Electric Cord and Plug



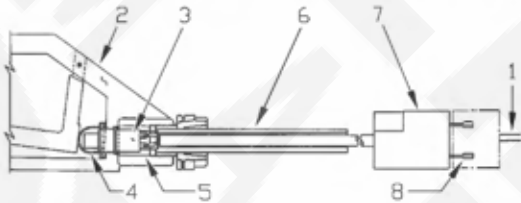
Pneumatic Saf-Stop II Remote Control Handle – Parts

Item	Part #	Description:	Ship Weight
1	290224	Saf-Stop II Plunger Assembly – includes: push rod, nut, spring, washer, "O" ring	1 lb.
2	290225	Saf-Stop II Parts Kit – includes: washer, two "O" rings, urethane disc	1 lb.
3	520122	Saf-Stop II Brass Plug	1 lb.
4	520212	Hose Adapter, 1/8" x 1/8"	1 lb.
5	520222	Hose Adapter, 1/4" x 1/4"	1 lb.
6	520521	Adjustable Clamp 3" (Each)	1 lb.
7	525112	Urethane Disc	1 lb.
8	752102	Handle w/trigger only	1 lb.



NOTE: Refer to Section "I" for Dual Line Remote Control Hose

Electric Saf-Stop II Remote Control Handle – Parts

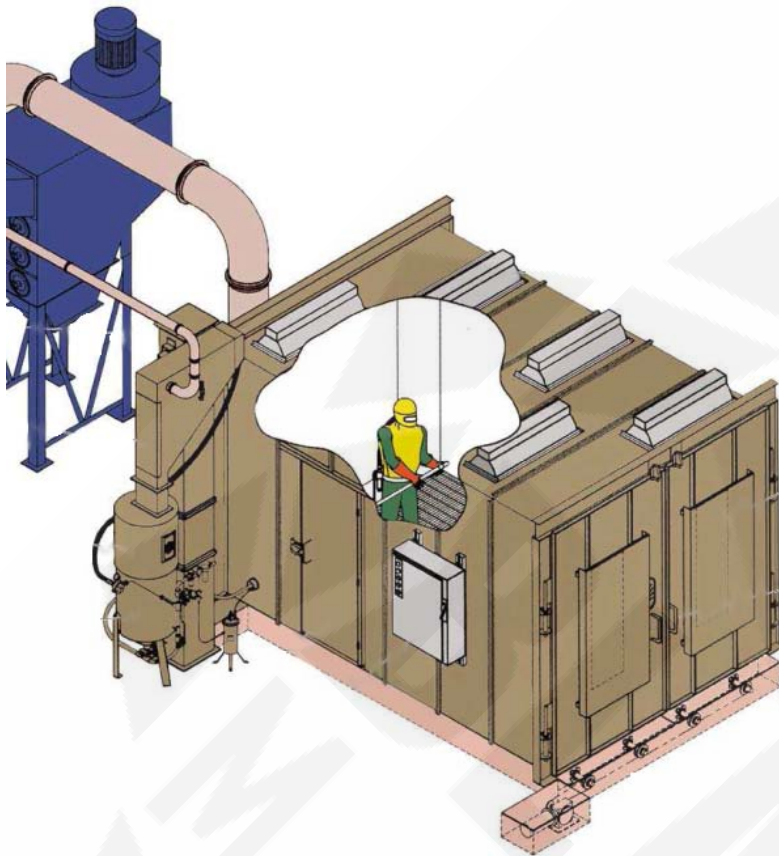


Item	Part #	Description:	Ship Weight
1	530042	55' Cable w/fitting (standard)	27 1/2 lbs.
	530052	20' Cable w/fitting	10 lbs.
	530062	Cable per foot	1 lb.
2	753672	Handle w/trigger only	1 lb.
3	534531	Push Button	1 lb.
4	534541	Push Button Boot	1 lb.
5	523972	"O" Ring	1 lb.
6	290353	Electric Saf-Stop Cord w/fitings	1 1/2 lbs.
7	534001	Connector	1 lb.
8	534011	Receptacle	1 lb.

Misc Electric Remote Control Parts

- 519032 Solenoid Valve, 12 VDC
- 519042 Solenoid Valve, 120 VAC
- 504552 Air Filter Assy, 1/4" npt
 - 506882 Bowl, for Air Filter
 - 506742 Element, for Air Filter
- 523261 Vent, 1/8" npt

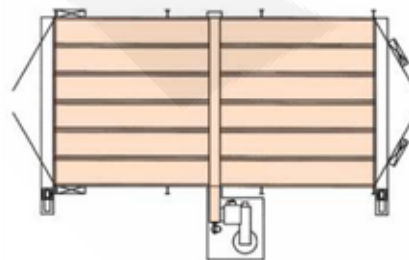
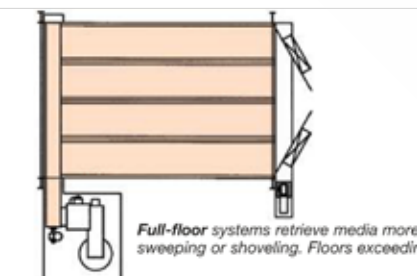
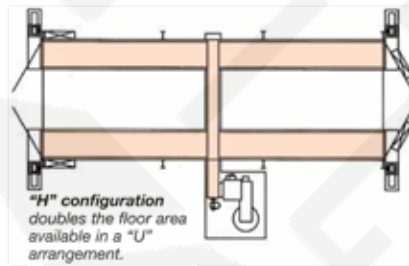
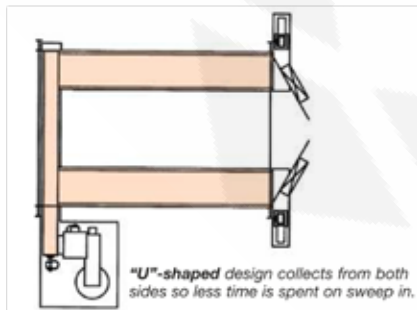
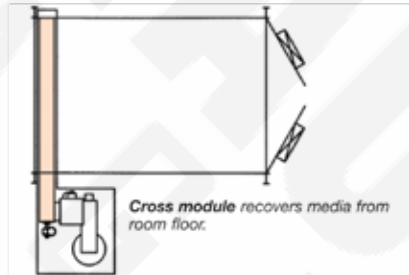
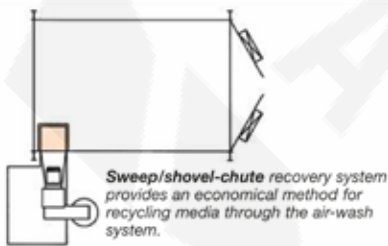
Blast Rooms - Custom Made or Pre-Assembled



Offering

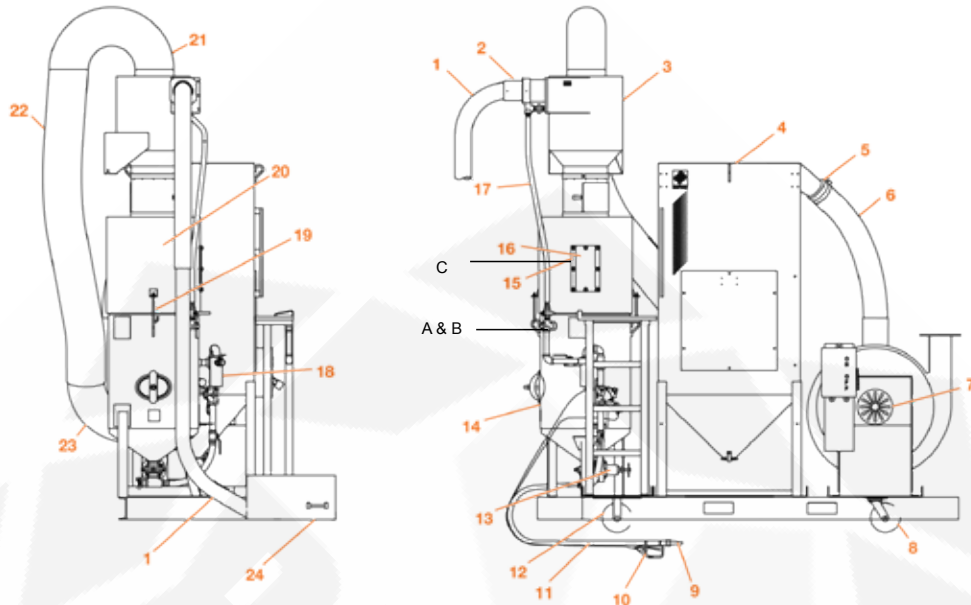
- Pre-Engineered Blast Booth
- Pre-Packaged Blast Rooms
- Engineered Field Erected Blast Booth

Contact your sales rep for information.



Empire Air Blast Equipment & Parts

Pneumatic Recovery System (PRS)

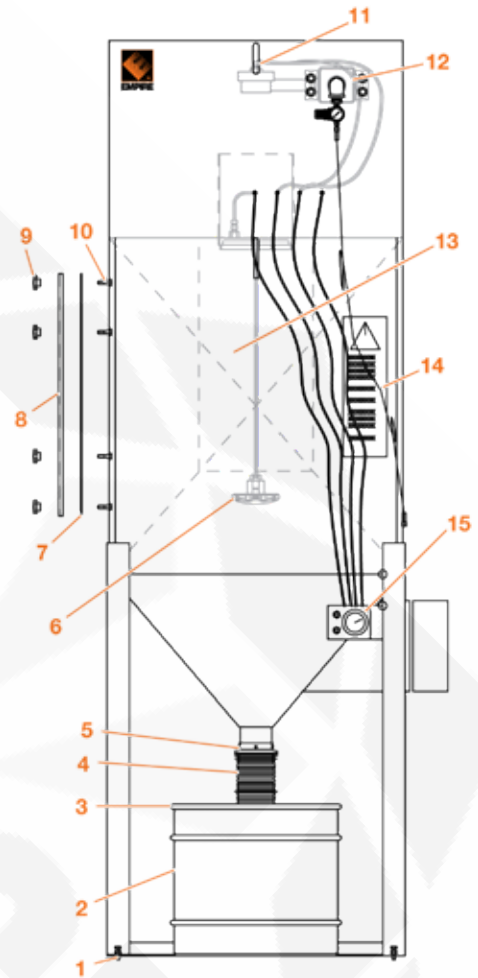


MODEL		PRS-6	PRS-6S	PRS-10	PRS10-S
Item	Description	PART NUMBERS			
1	Hose, heavy duty, 4" diameter (25' standard; lengths to 50')	515911	515911	515911	515911
2	Adapter, 4" x 6", reclaimer inlet	764032	764032	764032	764032
3	Reclaimer assembly, 6" inlet (does not include PN 764032)	140441	140441	140441	140441
4	Dust collector, DCM-200HV PRS	113300	113300	113300	113300
	Dust collector, CDCHV	113020	113020	113020	113020
5	Clamp, 6"	520551	520551	520551	520551
6	Hose, 6" dia. x 8'	515641	515641	515641	515641
	Hose, 6" dia. x 11', used with optional leg extension kit	516101	516101	516101	516101
7	Blower assembly, 208V, 60 Hz, 3 phase	549932	549932	549932	549932
	Blower assembly, 460V, 60 Hz, 3 phase	549942	549942	549942	549942
	Blower assembly, 575V, 60 Hz, 3 phase	549952	549952	549952	549952
	Blower motor only, 10 hp, 460V, 60 Hz, 3 phase	549972	549972	549972	549972
	Blower wheel kit (includes wheel and bushing for fan before 2003)	549943	549943	549943	549943
	Blower wheel (for fan before 2003)	549944	549944	549944	549944
8	Caster, swivel with lock	511511	511511	511511	511511
9	Nozzle, SCV-5 (5/16" silicon carbide)	502732	502732	502732	502732
10	Pneumatic Saf-Stop II remote control handle	290164	290164	290164	290164
11	Dual-line hose (55') with fittings	521892	521892	521892	521892
12	Caster, rigid	511521	511521	511521	511521
13	Automatic Sure-Flo® grit valve	NA	290215	NA	290215
14	Pressure vessel assembly, 780 systems	NA	221004	NA	241004
	Pressure vessel assembly, room systems	NA	235651	NA	235051
15	Hold down, window	768262	768262	768262	768262
16	Window	526231	526231	526231	526231
17	Blast hose, 1", for exhaust (9 feet required)	520822	520822	520822	520822
18	Pipe string assembly, 780 systems	Call	Call	Call	Call
	Pipe string assembly, room systems	Call	Call	Call	Call
19	J-bolt, 3/8" - 16 x 8"	764484	764484	764484	764484
20	Storage hopper assembly	290476	290476	290477	290477
	Gasket, 7" for PRS-6 & 6S (specify length), PRS-10 & 10S precut	523641	523641	524443	524443
21	Elbow, 10", 180° at top of reclaimer	548010	548010	548010	548010
22	Dust hose, 10" x 10'	516887	516887	516887	516887
23	Elbow, 10", 90° a dust collector inlet	790228	790228	790228	790228
24	Media recovery hopper, 30" x 30" x 12"	768211	768211	768211	768211
A	Ball Valve (for exhaust)	518492			
B	Hose Barb, 1" npt	520181			
C	Window Gasket, 3/4" x 1" (3 ft required)	525170			

Pneumatic Recovery System (PRS) - CDC Dust Collector

CDC-HV Dust Collector (Part # 113020)

Item	Description	PART#
1	Bolt, levelling, 3/8" - 16 x 2" (4 required)	553892
2	16-gallon drum	504016
3	Lid for 16 gallon drum	850099-1
	Gasket, dust drum lid, 5' (not shown)	800166
4	Tube	523750
5	Hose clamp, 4" (2 required)	520531
	16 gallon drum assembly (includes items 2 through 5)	113015
6	Knob, filter clamping assembly	515526
7	Gasket, access door, 5/8" x 5/8", 103" section	525061
	Gasket, 5/8" x 5/8" (specify length)	525061
8	Access door, dust collector	760851
9	Knob, 3/8" - 16 (6 required)	510461
10	Bolt, 3/8" - 16 x 1 1/4" (6 required)	551852
	Empire logo	564305
11	Diaphragm valve (2 required)	516352
12	Air supply assembly	140851
13 *	Cartridge filter (2 required)	515525
14	Decal, Instruction/Warning	567406
15	Mini-Helic package	550450



Empire
PRS

CDC-HV Options

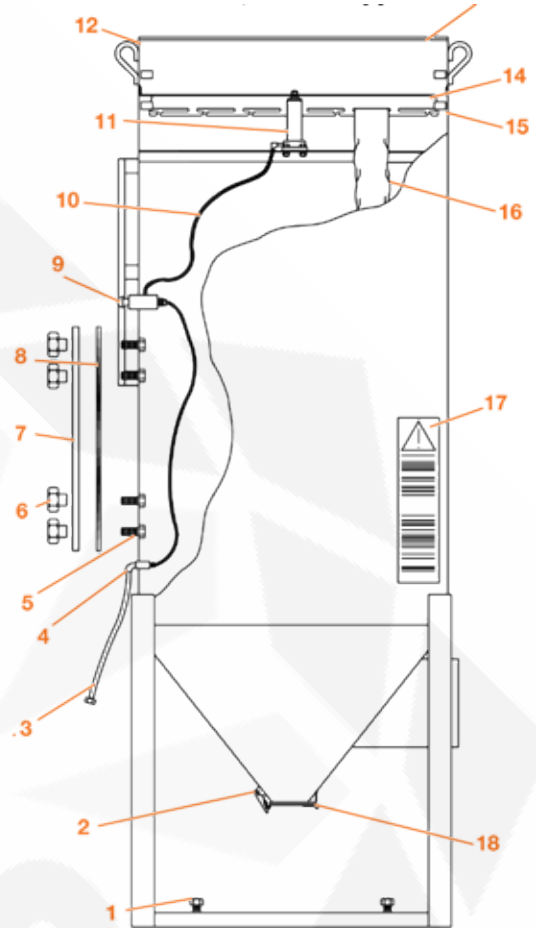
	PART NUMBERS	
	FACTORY INSTALLED	CUSTOMER INSTALLED
HEPA filter captures very fine particles.	140215	140215
HEPA filter, pressure differential gage assembly informs operator regarding filter cleanliness.	140221	140221
Leg extension kit (includes stand and lid assembly) raises collector so larger collection drum can be placed underneath.	140257	140257
Photohelic cartridge cleaning improves system performance, saves operator time.	140900	140900

Empire Air Blast Equipment & Parts

Pneumatic Recovery System (PRS) - DCM Dust Collector

DCM-200HV Dust Collector (Part # 113300)

Item	Description	PART#
1	Bolt, levelling, 3/8" - 16 x 2" (4 required)	553892
2	Latch and keeper (requires welding)	509581
3	Hose with fittings, 1/4" x 16', dust collector	523161
4	Adapter, 1/4" tube x 1/4" MPT (inlet)	521081
5	Bolt, 3/8" - 16 x 1 1/4" (6 required)	551852
6	Knob, 3/8" - 16 (6 required)	510461
7	Access door, dust collector	768342
8	Gasket, access door, 5/8" x 5/8", 103" section	525711
	Gasket, 5/8" x 5/8" (specify length)	525061
	Valve, push-button, 1/8" NPT & #10 - 32, "3P"	517221
9	Barbed fitting, 1/4" tube x #10 - 32, 2 per assembly	521101
	Adapter, 1/4" tube x 1/8" MPT, 90° (for air cylinder)	520432
10	Tubing, 1/4" OD (8' required)	510541
11	Air cylinder, standard collector and auto shaker	515981
	Air cylinder, auto-pneumatic bag shaker only	515771
12	Gasket, top plate, 1/8" x 1/4" x 12'	523551
13	Top plate	768332
14	Bag-rack weldment	760921
15	Rubber bumper (8 required)	523541
16	Dust bag, cotton sateen (30 required)	515521
16	SuperSmooth dust bag (optional) handles severe dust loading (30 required)	516181
17	Decal, Instruction/Warning	567405
18	Gasket, clean-out door, dust collector	524351
	Decal, Empire logo	564305
	Decal, orange dot strip	564301
	Paint, 6 oz. aerosol, beige	564476



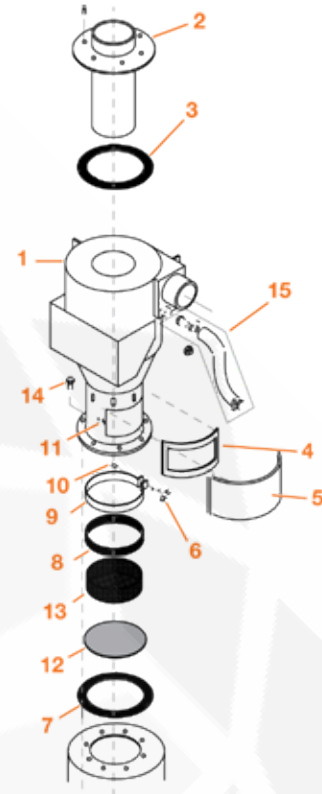
DCM-200HV Options

	PART NUMBERS	
	FACTORY INSTALLED	CUSTOMER INSTALLED
Automatic bag shaker cleans bags thoroughly every time the system is turned off.		
Electric shaker	140340	140390
Pneumatic shaker	140683	140684
HEPA filter captures very fine particles.	140215	140215
HEPA filter, pressure differential gage assembly informs operator regarding filter cleanliness.	140221	140221
Leg extension kit (includes stand and lid assembly) raises collector so larger collection drum can be placed underneath.	140256	140256
SuperSmooth dust bags (30 required with customer installation) handle severe dust loading.	140682	516181

Pneumatic Recovery System (PRS) - Reclaimer

Reclaimer (900 CFM) (Part # 140441)

Item	Description	PART #
1	Reclaimer body assembly (includes items 1 through 11)	140441
	Ultra-wear lining (factory-installed option)	526193
2	Removable top	766751
3	Gasket, reclaimer to storage hopper	524371
4	Gasket, reclaimer door	524331
5	Door, reclaimer	760721
6	Wing nut, 1/4" - 20	552392
7	Gasket, reclaimer to storage hopper	524371
8	Gasket, tuning band, solid	524342
	Gasket, tuning band, with slots	524341
9	Tuning band (steel part only), solid	767581
	Tuning band (steel part only), with slots	760701
10	Bolt, 1/4" - 20 x 2"	551782
11	Latch and keeper (requires welding)	509581
12	Screen, flat, 5/16", 13" OD	760711
13	Screen, fine 11 1/2" OD, 8 mesh (standard)	739041
	Screen, 11 1/2" OD, 4 mesh	739051
14	Bolt, 3/8" - 16 x 1" (8 required)	551852
15	Exhaust hose assembly for 1 cu. ft. pressure vessel	522611



Empire
PRS

Reclaimer Options

	PART NUMBERS	
	FACTORY INSTALLED	CUSTOMER INSTALLED
Magnetic separator protects delicate substrates by removing ferrous contaminants from media.	511572	511572
Vibrator aids the flow of media passing through reclaimer screens.	140335	140419
Wear plate extends reclaimer life; easy to replace.	514491	514521

Recovery Trough Components

Item	Description	Part #
1	Screws, 1/4" x 1", self drilling (10)	551560
2	Grating, 1" thick, 23 1/8" x 13 1/2" each	760076
3	Urethane transition with floor, 4"	580245
4	Urethane elbow, 90°, 4" diameter	580213
5	Pipe clamp, 4" pipe, two bolt	522900
6	Urethane duct work adapter, 4", to dust hose	760064

